

# PCB Holders

Pack of 50



## FEATURES:

Snap rivet locking circuit board support (Pack of 50)

Top hole  $\varnothing$  4.0 mm  $\pm$ 0.08 mm and panel thickness 1.57 mm

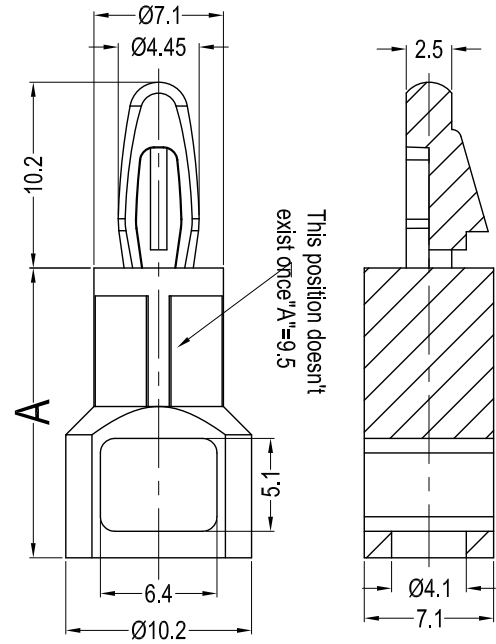
## SPECIFICATION:

Material PA 66, UL94-V2

Colour Natural

## PRODUCT RANGE:

Art. Nr.	A	Length
RND 610-00122	9.5 mm	19.7 mm
RND 610-00123	11.1 mm	21.3 mm
RND 610-00124	12.7 mm	22.9 mm
RND 610-00125	15.9 mm	26.1 mm
RND 610-00126	19.1 mm	29.3 mm
RND 610-00127	22.2 mm	32.4 mm
RND 610-00128	25.4 mm	35.6 mm



For more information and technical drawings, please contact us at [info@distrelec.com](mailto:info@distrelec.com).